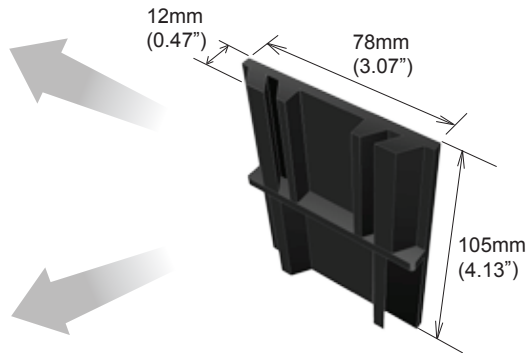
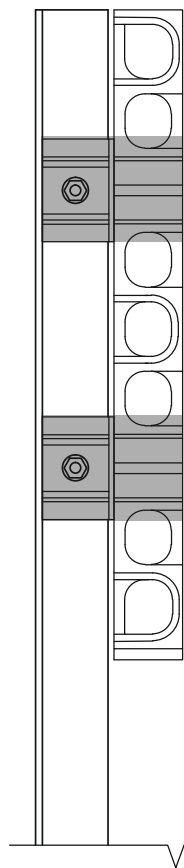
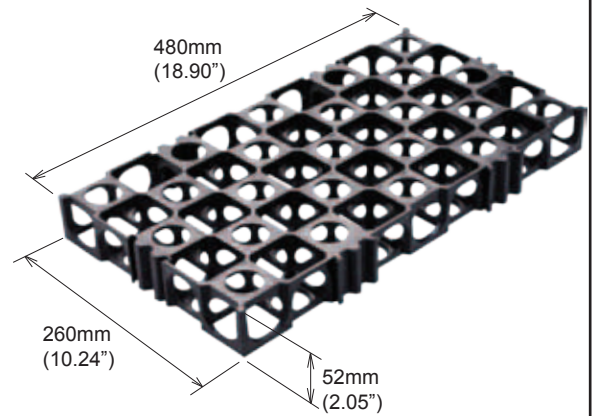


<b>Part Number :</b>	80052
<b>Material :</b>	85% Recycled Polypropylene + 15% Atlantis Propriety Selected Materials.
<b>Weight p/m2:</b>	4.84 kg (170.72 oz.)
<b>Colour :</b>	Black
<b>Biological &amp; Chemical Resistance :</b>	Unaffected by moulds and algae, soil-bourne chemicals, bacteria and bitumen.
<b>Service Temperature :</b>	-10°C to 70°C (14°F to 158°F)
<b>Compressive Strength:</b>	130 t/m <sup>2</sup> (185.8 psi)



## Wall Mounting Clip

Part Number: 80099

